

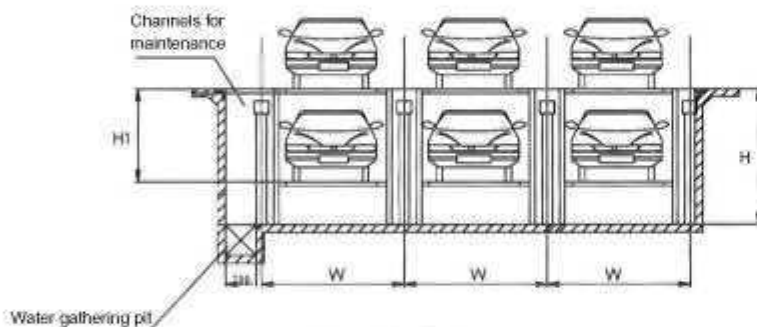
[Two-layer type]

Operation Principle

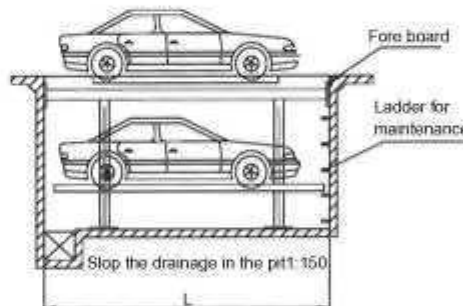
The two up and down pallets are fixed into one body which is in the pit usually. Vehicles on the top layer can get in and out directly while the vehicles on the bottom layer can be parked when the system is raised.

Character

- Simple structure, the most economical parking system
- Control by PLC, operated by pushing button
- Perfect security system
- Settle in the pit, the top place working in the same way as general parking place



Frontal sketch map

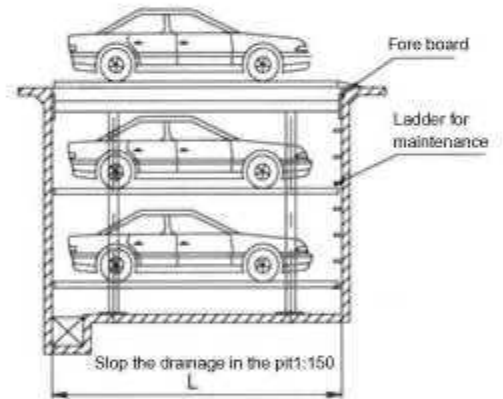
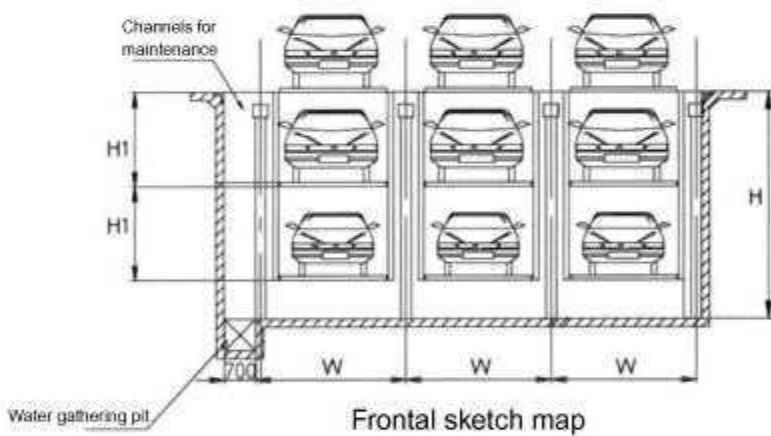


Side sketch map

Main technical data

System Size (mm)	L	5400	5700	5400	5000	4800
	W	2600	2700	2600	2500	2500
	H1	2150	1850	1850	1850	1850
	H	2550	2250	2250	2250	2250
Suitable for Vehicle Type	Vehicle type K	Vehicle type T	Vehicle type D	Vehicle type Z	Vehicle type X	
Qty of the Parking Vehicles	2 vehicles/group					
Motor	2.3kw					
Elevating speed	3m/min					
Max. noise	≤60dB (A)					
Max. time for fetching vehicle out	45s					
Driving	Roller chain					
Operation	button/touch screen/IC card					
Power	3N, AC, 380V, 50Hz					

[Three-layer type]



Main technical data

System Size (mm)	L	5400	5700	5400	5000	4800
	W	2600	2700	2600	2500	2500
	H1	2150	1850	1850	1850	1850
	H	4700	4100	4100	4100	4100
Suitable for Vehicle Type		Vehicle type K	Vehicle type T	Vehicle type D	Vehicle type Z	Vehicle type X
Qty of the Parking Vehicles		3 vehicles/group				
Motor		4kw				
Elevating speed		3.5m/min				
Max. noise		≤60dB (A)				
Max. time for fetching vehicle out		70s				
Driving		Roller chain				
Operation		button/touch screen/IC card				
Power		3N,AC,380V,50Hz				

Your partner to resolve your parking problems.

two cars underground



three cars underground



Safe, Secure, Burglar proof, 2 / 3 cars in the space of one.

EURO AUTOMATED CAR PARK LTD.

CARNMORE CROSS,
ORANMORE, GALWAY,
IRELAND.

Tel: 00 353 91 792895

Fax: 00 252 91 792893

Mobile: 00 353 87 9199700.

info@liftlogistics.com

<http://www.liftlogistics.com>

Automatic Parking Systems